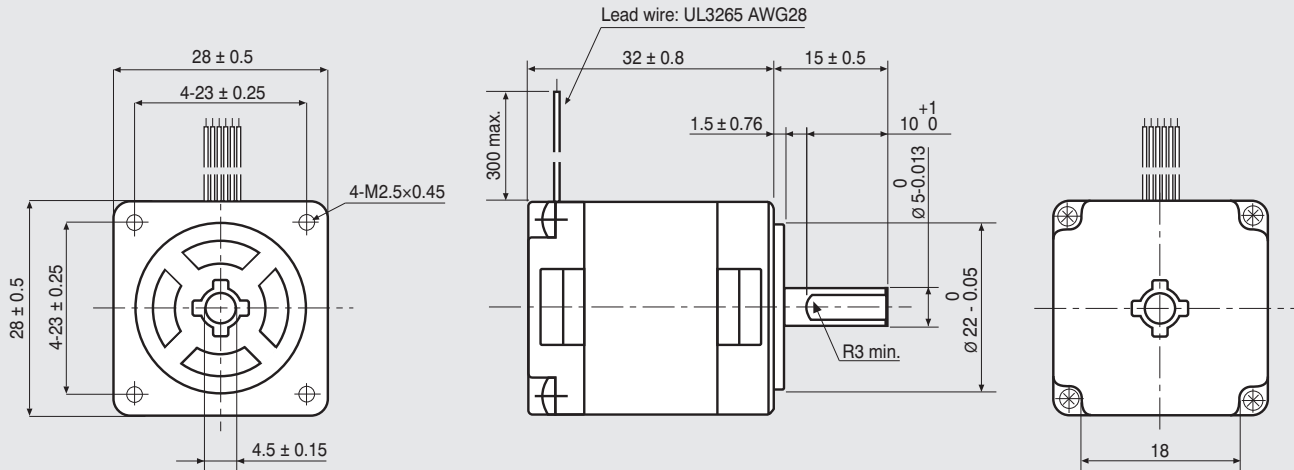


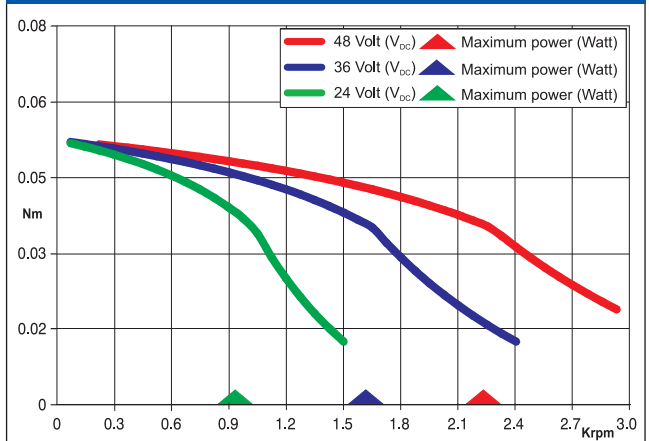
Dimensions (Unit:mm)



FEATURES

MODEL	SH2281-5271	
BASIC STEP ANGLE	1.8° ± 0.09°	
BIPOLAR CURRENT	(Amp)	0.7 ^(*)
UNIPOLAR CURRENT	(Amp)	1.0
RESISTANCE	(Ohm)	2.85
INDUCTANCE	(mH)	1.0
BIPOLAR HOLDING TORQUE	(Ncm)	7
UNIPOLAR HOLDING TORQUE	(Ncm)	5.5
ROTOR INERTIA	(Kg ^m 2 x 10 ⁻⁷)	10
THEORETICAL ACCELERATION	(rad x sec. ⁻²)	70000
BACK E.M.F.	(V/Krpm)	15
MASS	(Kg)	0.11
LEADS CODE	IV	

TORQUE/SPEED CURVE



(*) Bipolar series connection.
(*) Collegamento bipolare serie.

R.T.A. s.r.l. PAVIA (ITALY) SANYO DENKI CO., Ltd (JAPAN)



EIMC - 10 - 14

Suggested R.T.A. driver: BSD Series, CSD/A-CSD Series, NDC/A-NDC Series, HGD Series.



R.T.A. s.r.l.
Via E. Mattei - Fraz. Divisa
27020 MARCIGNAGO (PV) ITALY
Tel. +39.0382.929.855 - Fax +39.0382.929.150
www.rta.it

R.T.A. Deutschland GmbH
Bublitzer Straße 34
40599 DÜSSELDORF (Germany)
Tel. +49.211.749.668.60 - Fax +49.211.749.668.66
www.rta-deutschland.de

R.T.A. IBERICA-Motion Control Systems S.L.
C/Generalitat 22, 1° 3°
08850 GAVA - BARCELONA (Spain)
Tel. +34.936.388.805 - Fax +34.936.334.595
www.rta-iberica.es